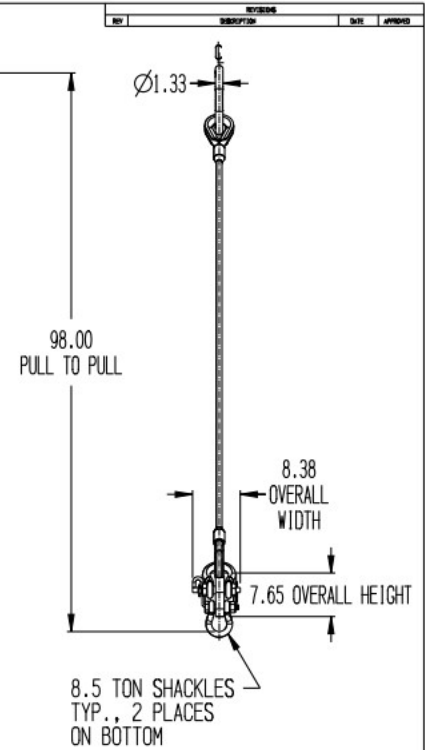
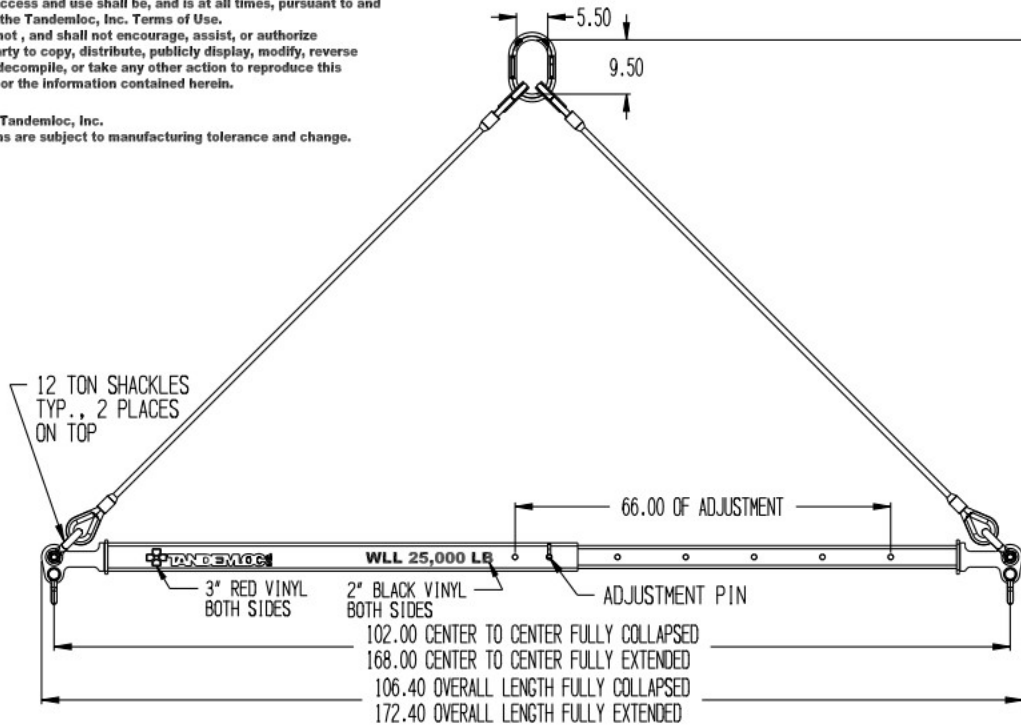


This document contains the proprietary information of Tandemloc, Inc. and your access and use shall be, and is at all times, pursuant to and limited by the Tandemloc, Inc. Terms of Use. You shall not, and shall not encourage, assist, or authorize another party to copy, distribute, publicly display, modify, reverse engineer, decompile, or take any other action to reproduce this document or the information contained herein.

©2019 by Tandemloc, Inc.  
Dimensions are subject to manufacturing tolerance and change.



- NOTES:
- PART NO.: AT14A025-168-PA, 102"-168" TELESCOPIC SPREADER  
AT14A025-168SPA, 102"-168" TELESCOPIC SPREADER WITH TOP SLING
  - WLL: 25,000 LB. @ 45° MINIMUM
  - PROOF TESTED TO 125% (31,250 LB.) AND CERTIFIED
  - STANDARD SPECIFICATION # EAD21000A APPLIES
  - FINISH: SANDBLAST AND PRIME AND PAINT YELLOW
  - CALCULATED WEIGHT: 358 LB. SPREADER WITH SLING: 442 LB.
  - DESIGNED AND MANUFACTURED TO MEET OR EXCEED ASME B30.20 AND BTH-1, DESIGN CATEGORY B, SERVICE CLASS 0.

\*\* DO NOT SIGN IF CHANGES ARE REQUIRED \*\*

CUSTOMER APPROVAL: \_\_\_\_\_

DATE: \_\_\_\_\_

<small>1 1/2" DIMENSIONS APPLICABLE UNLESS OTHERWISE NOTED. DIMENSIONS ARE IN INCHES &amp; TOLERANCES ARE: .XX ±.01, .XXX ±.005, .XXX ±.01</small>	<small>1" DIMENSIONS APPLICABLE UNLESS MAX. CLOSING TEL. IS: 0 TO 4" ±.01, 4.01" TO 7" ±.02, 7.01" TO 10.5" ±.02, OVER 10.5" ±.02</small>	<b>TANDEMLOC</b>	
		TITLE: AT14A025-168-PA 102"-168" TELESCOPIC SPREADER	
<small>THIS DOCUMENT CONTAINS ONLY THE INFORMATION OF THE PRODUCT. IT DOES NOT INCLUDE THE DESIGN OR CONSTRUCTION OF THE PRODUCT. IT IS THE PROPERTY OF TANDEMLOC, INC. AND IS NOT TO BE REPRODUCED OR TRANSMITTED IN ANY FORM OR BY ANY MEANS, ELECTRONIC OR MECHANICAL, INCLUDING PHOTOCOPYING, RECORDING, OR BY ANY INFORMATION STORAGE AND RETRIEVAL SYSTEM.</small>	APPROVAL: _____ DATE: 04-01-19	REV: 001 DATE: _____ D 65059 SAT14A025-168-PA	SHEET 1 OF 1